

Service  
Service  
**Service**



# Service Manual

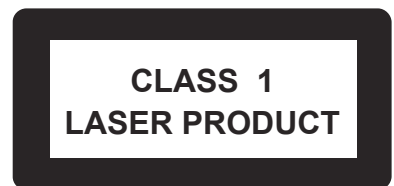


## CONTENTS

- Block Diagram
- Circuit diagram - □ power part
  - CD part
  - LCD part
  - tuner part
  - tape part
- PCB Layout diagram - □ power board
  - cd board
  - LCD board
  - tuner board

**Service parts list:**

- 9940 000 00161 □ VDE POWER CORD SET
- 9940 000 01095 □ BATTERY DOOR
- 9940 000 01094 □ ROD ANTENNA
- 9940 000 00147 □ CD MECHANISM DA1B3N
- 9940 000 01476 □ TAPE DECK CS-21V-230
- 9940 000 01453 □ TRANSFORMER 120/230V



© Copyright 2005 Philips Consumer Electronics B.V. Eindhoven, The Netherlands  
 All rights reserved. No part of this publication may be reproduced, stored in a retrieval system or transmitted, in any form or by any means, electronic, mechanical, photocopying, or otherwise without the prior permission of Philips.

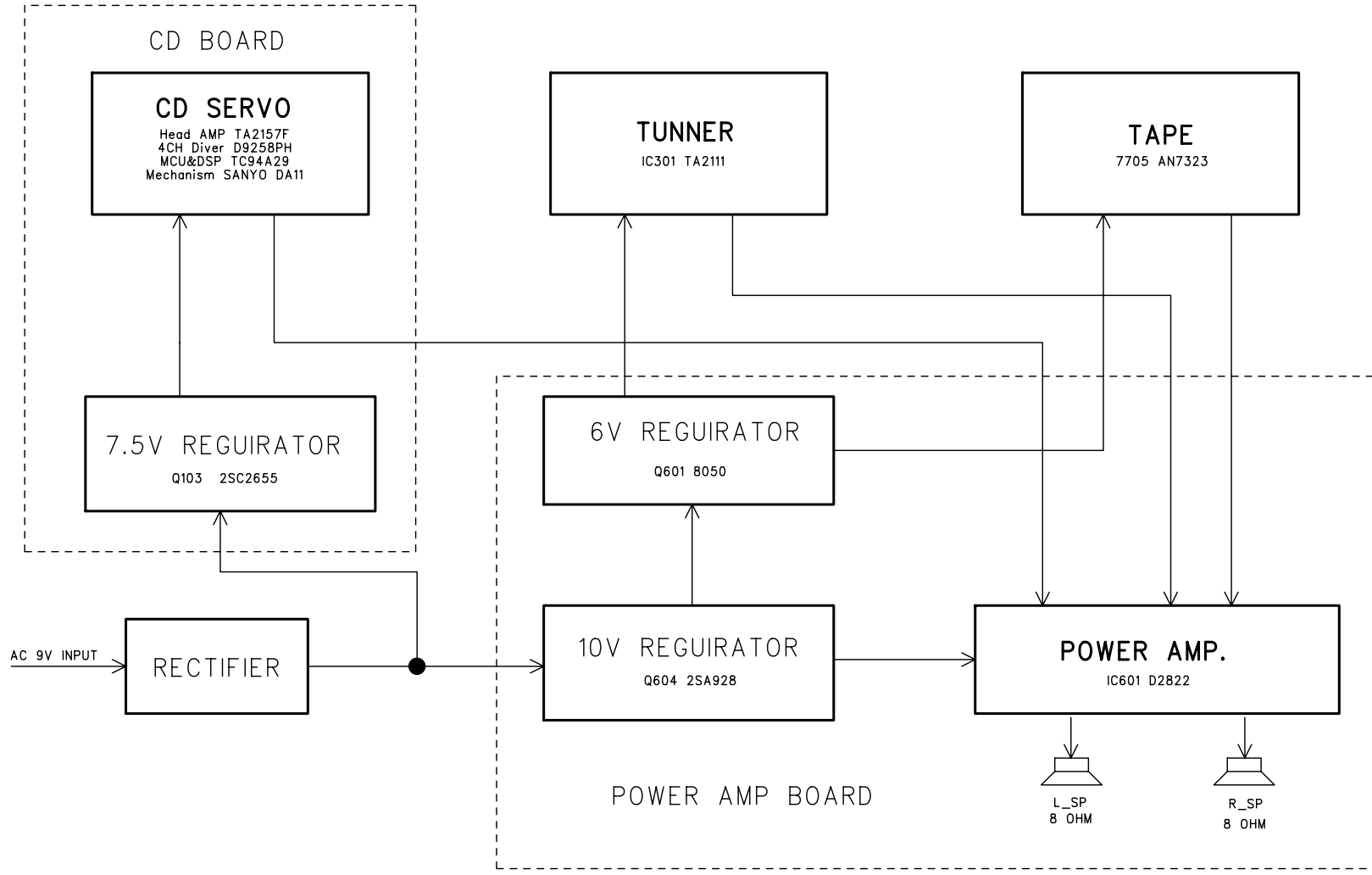
Published by YM 0511 Service Audio Printed in The Netherlands Subject to modification

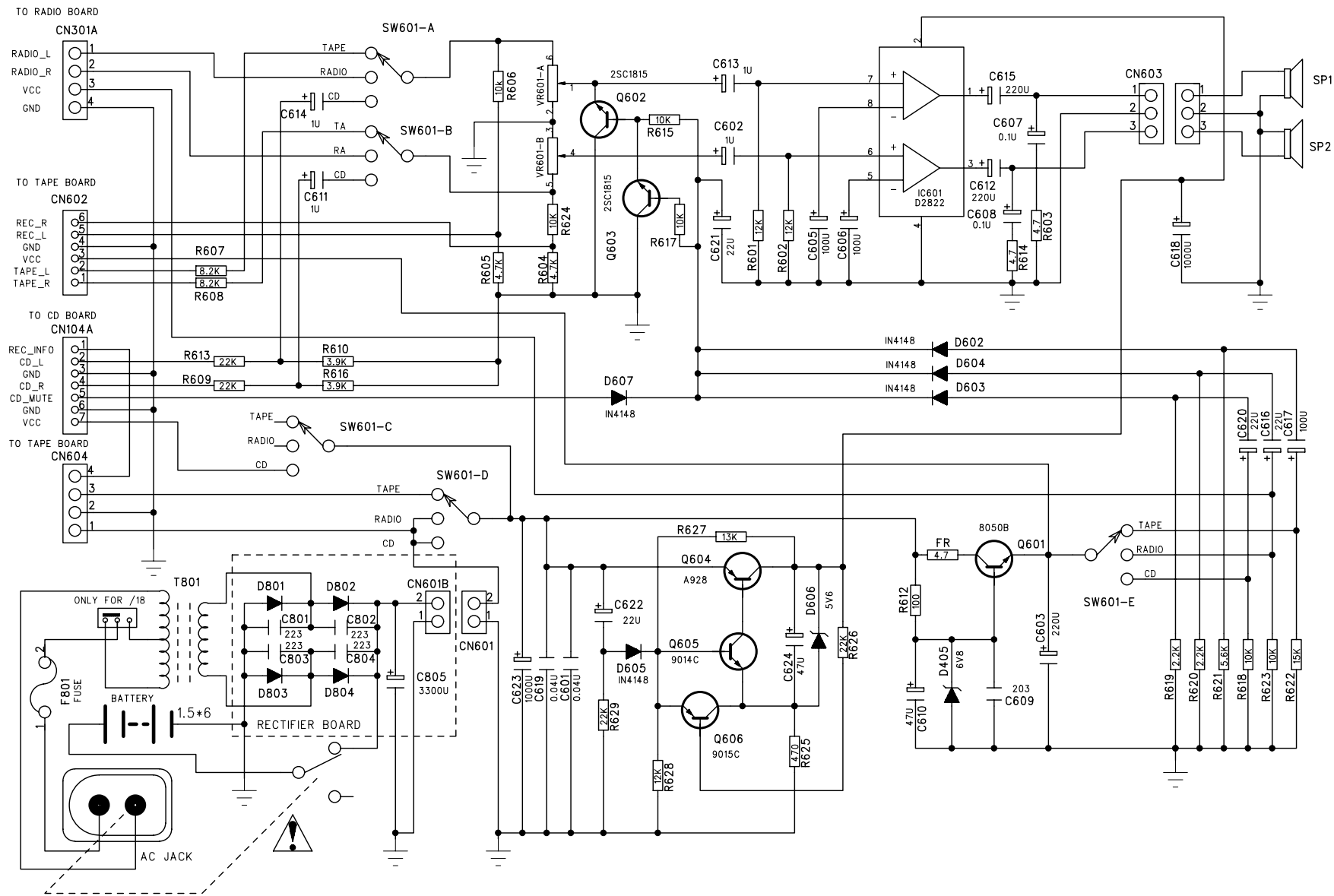
GB 3141 785 30280

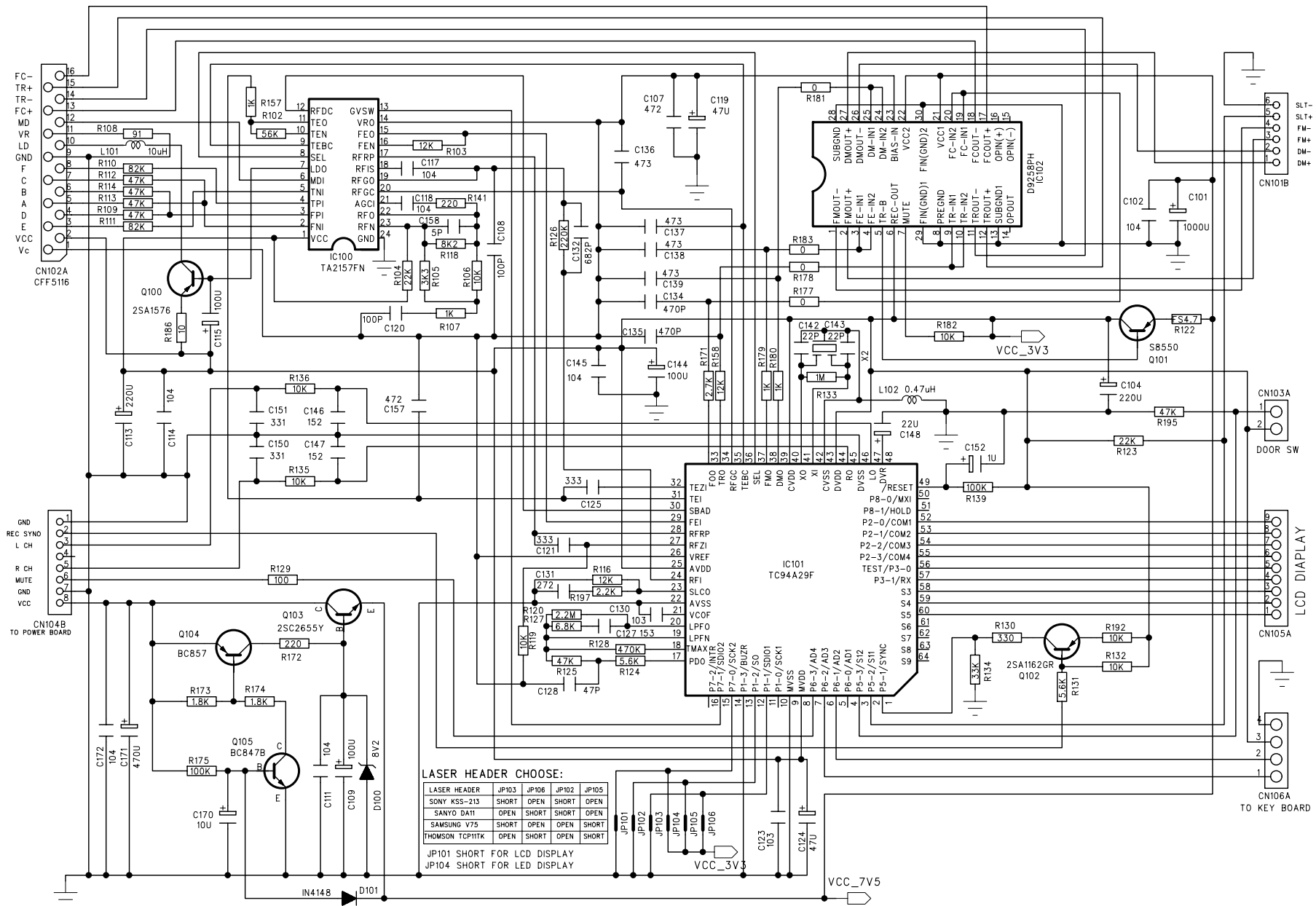
Version 1.0



# PHILIPS



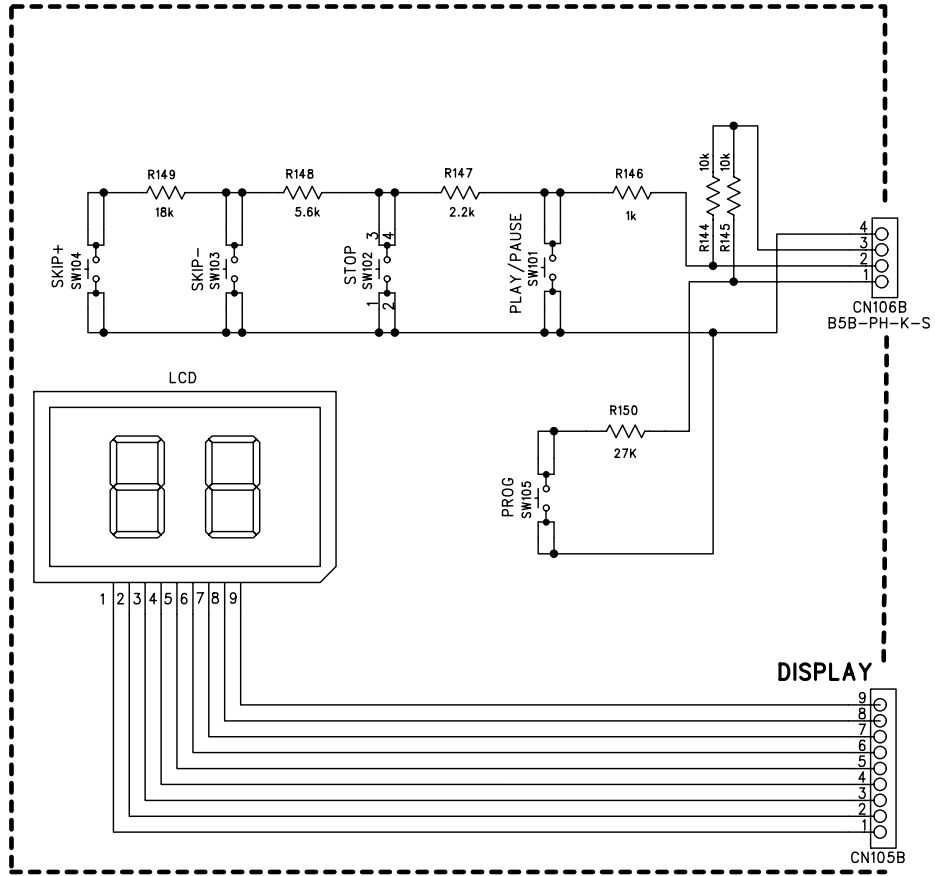


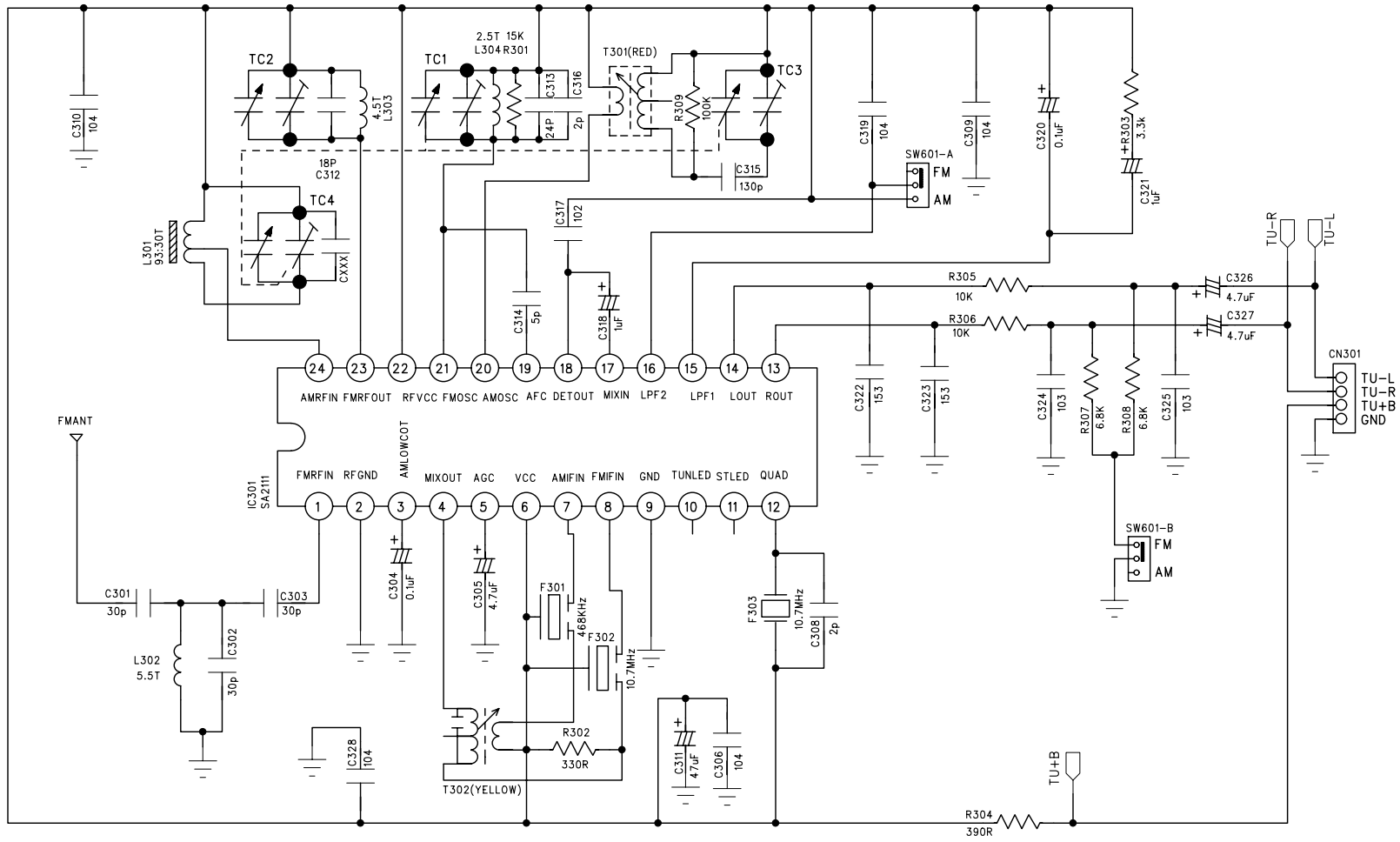


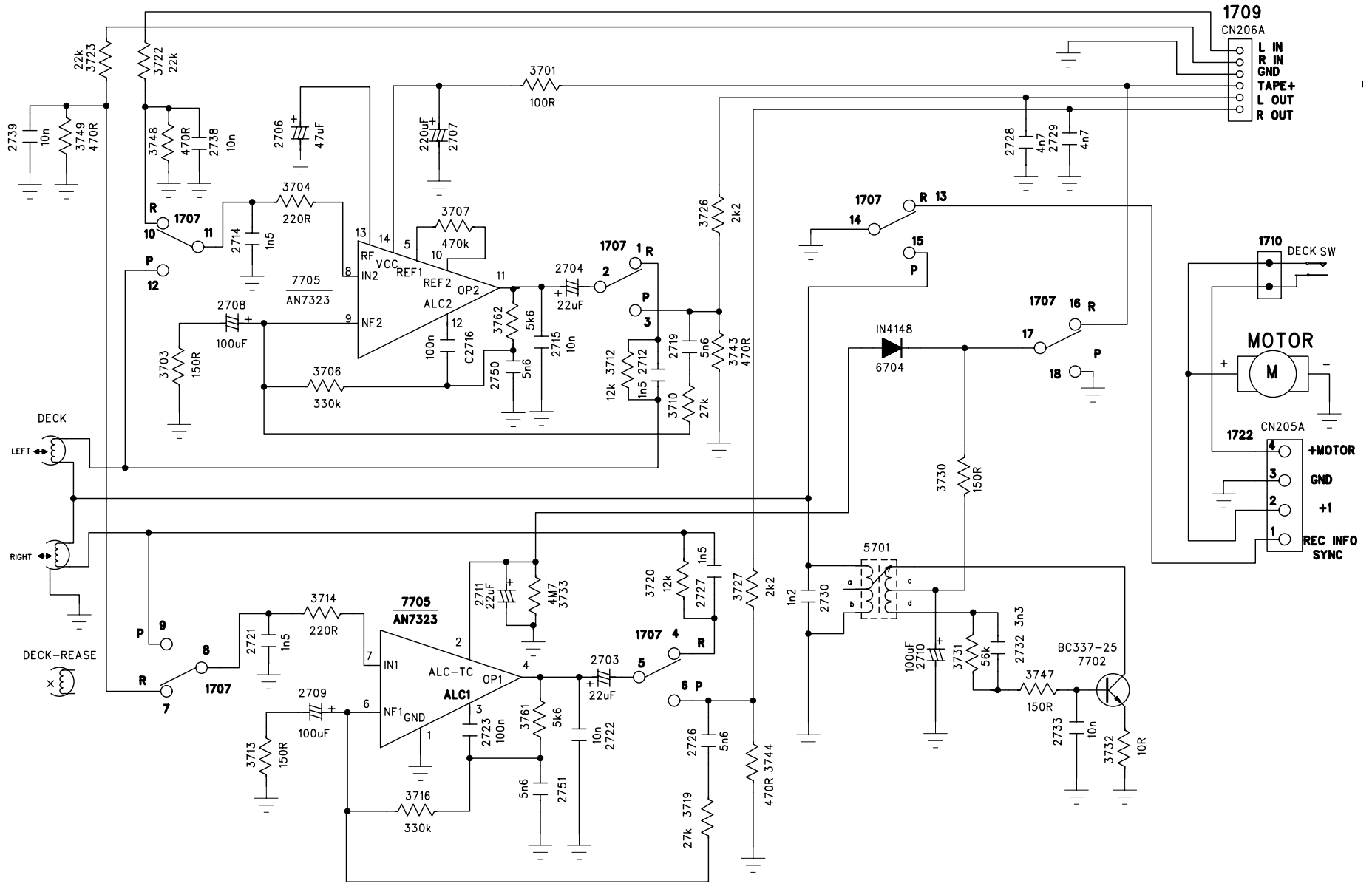
**LASER HEADER CHOOSE:**

LASER HEADER	JP103	JP106	JP102	JP105
SONY KSS-213	SHORT	OPEN	SHORT	OPEN
SANYO DAI1	OPEN	SHORT	SHORT	OPEN
SAMSUNG V75	SHORT	OPEN	OPEN	SHORT
THOMSON TCH1TK	OPEN	SHORT	OPEN	SHORT

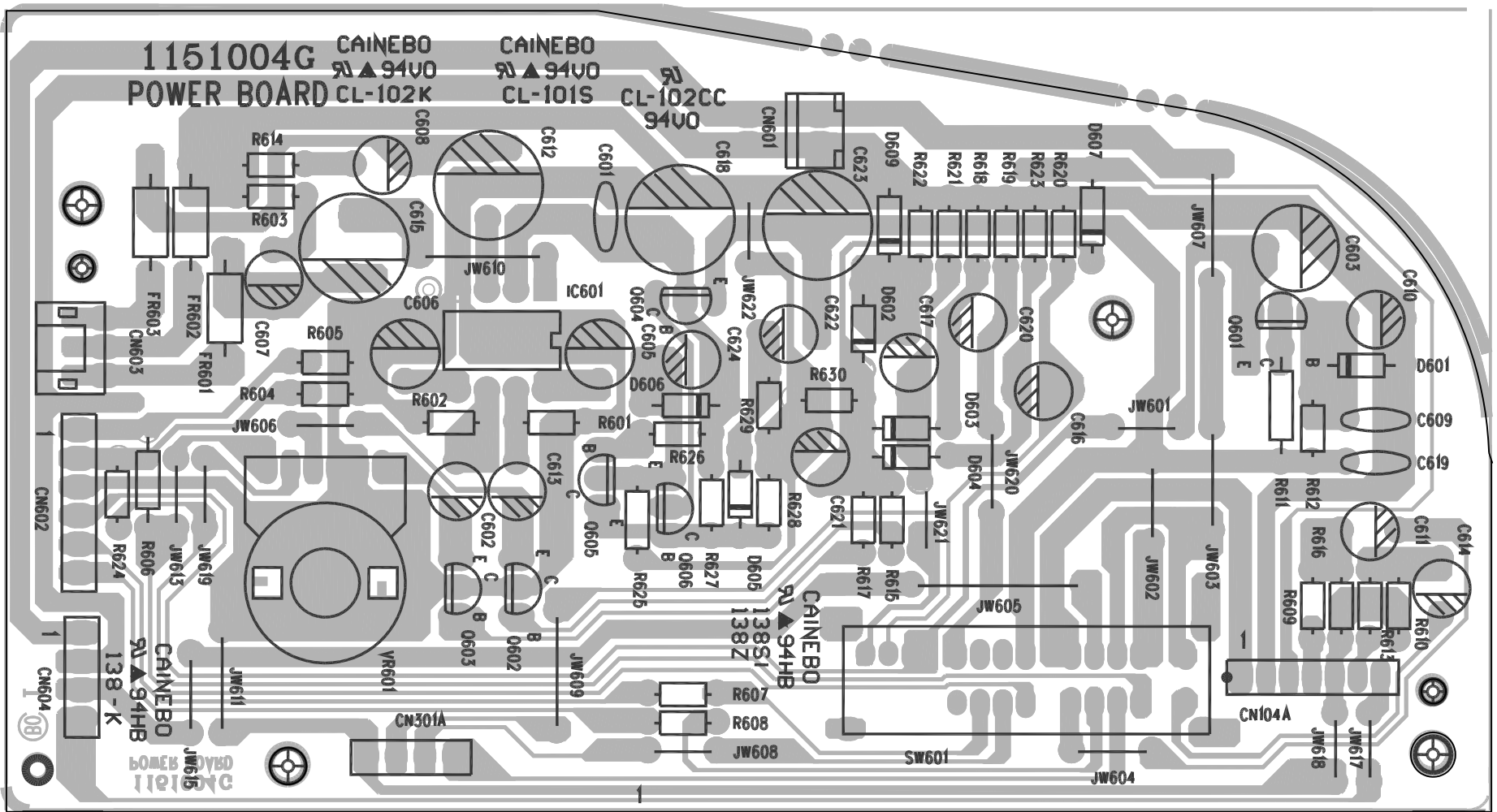
JP101 SHORT FOR LCD DISPLAY  
 JP104 SHORT FOR LED DISPLAY





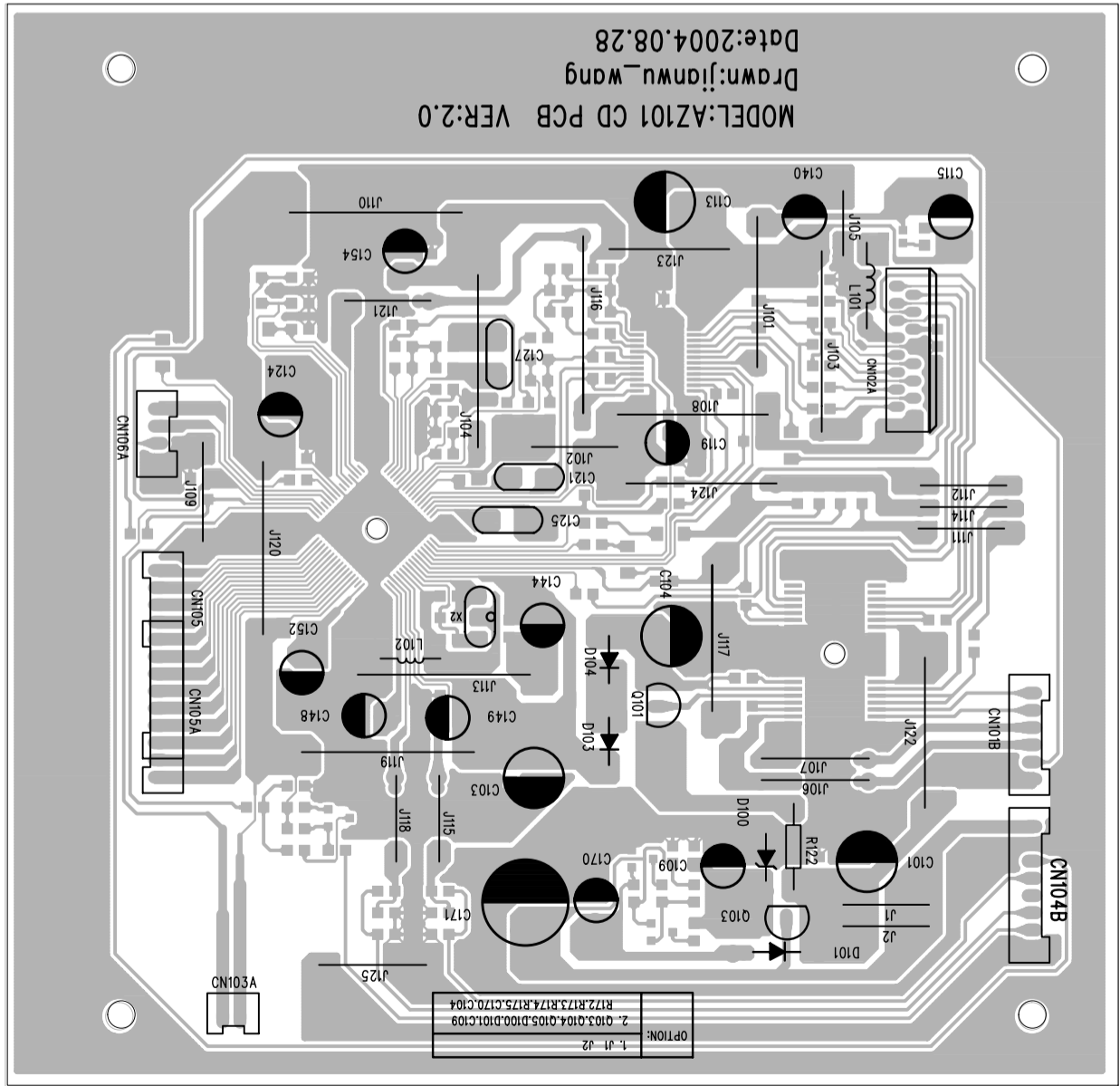
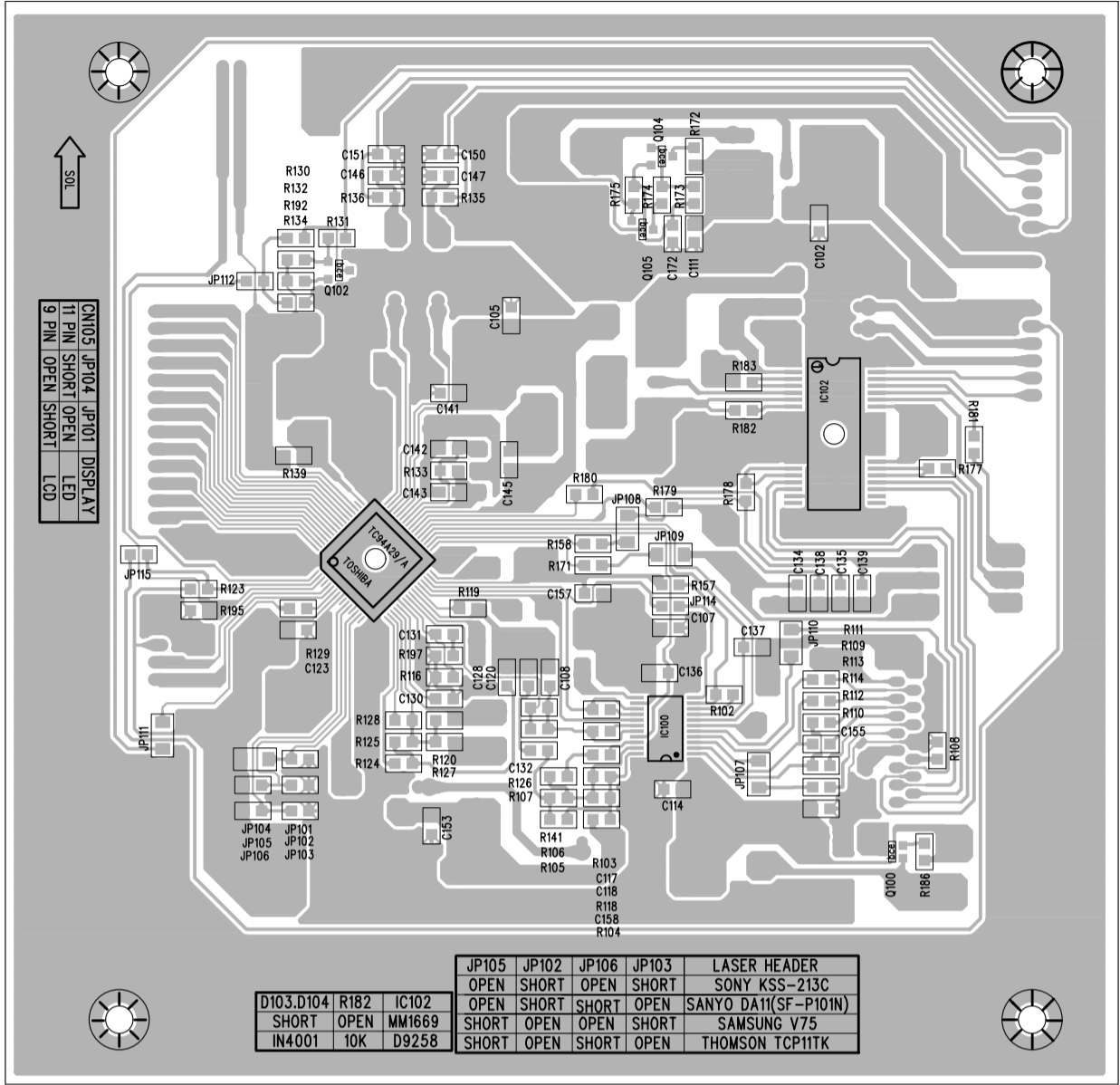


1151004G POWER BOARD  
CAINEBO CL-102K  
CAINEBO CL-101S  
CAINEBO CL-102CC  
94V0



POWER BOARD  
1151004G





MODEL:AZ101-CD-KEY  
Ver:2.0  
SCALE: 1:1  
THK:1.6MM (KB)

COMPONENT SIDE  
2004-9-4

